



Key Features:

- 18-inch cast frame driver with 350 watts continuous, 700 watts program and 1,400 watts peak power handling
- Built-in input filter for single-amp drive capability. Biamping not required.
- Comes with 34-inch pole for elevating two-way systems
- Comes with wheels and removable, expandable handle for easy transport
- Enclosure is strong and light—88 lb (40.0 kg)
- Same height (25.5 in) as Force *i* Two-Way for more efficient vehicle packing
- Manufactured in the United States



General Description:

As the entry-level EV speaker series, Force *i* Series is anything but amateur. Built for the professional on a budget, Force *i* Series boasts great sound, portability and outstanding value. Each Force *i* system is easy to transport and simple to setup making it perfect for performers, DJs on the go, school functions, bands, or anywhere great sound and portability are required. Featuring integrated metal stand mounts, durable heavy duty carpet enclosure covering, and ergonomic handles, Force *i* Series is ready to handle the abuse of the road. Tops and subs are designed to work together as a system, efficiently using a single amplifier channel to drive both. EV components with concert sound lineage provide outstanding intelligibility and sound quality that will make everyone think you paid twice the price!

The Force *i* Sub makes it easy and cost-effective to add low frequency punch to your existing Force *i* system. Its 18-inch cast frame woofer boasts a four layer voice coil and nearly two inches of excursion. The integrated input filter is tuned to work seamlessly with Force *i* Series two-way enclosures. Capable of handling 700 watts of program power, it is the perfect system complement to the Force *i* 15-inch two-way, or even the Force *i* Monitor.

Force *i* Sub comes with a 34-inch steel pole for mounting either a Force *i* 15-inch two-way or Force *i* Monitor. Rear mounted casters and a “luggage style” telescoping handle make the Force *i* Sub easy to transport.

For maximum performance mount a Force *i* two-way enclosure on the included pole and power both units with one channel of an Electro-Voice CP2200 power amplifier, or Dynacord Powermate powered mixer.

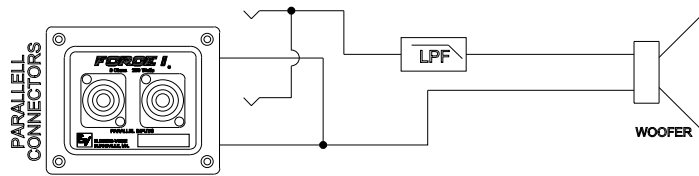
Technical Specifications:

Freq. Response (-3 dB) ² :	42Hz - 160Hz
Freq. Range (-10 dB) ² :	32Hz - 600Hz
Continuous Pwr Handling ¹ :	350W
Program Pwr Handling ¹ :	700W
Short Term Pwr Handling ¹ :	1400W
Dispersion	Essentially Omnidirectional
Sensitivity (1W / 1m):	100dB
Impedance (Nominal /Min.):	8 ohms / 6.8 ohms
Max. Calc. SPL Output:	131.5 dB @ 1m
Enclosure:	Rectangular Enclosure Covered in Heavy Duty Black Carpet
Connectors:	Speakon NL4
Grille:	Powder Coated Steel
Dim (H x W x D) in:	25.5" x 20.4" x 23.7"
Dim (H x W x D) mm:	648 mm x 518 mm x 602 mm
Net Weight:	88 lbs (40.0 kg)
Shipping Weight:	93 lbs (42.2 kg)

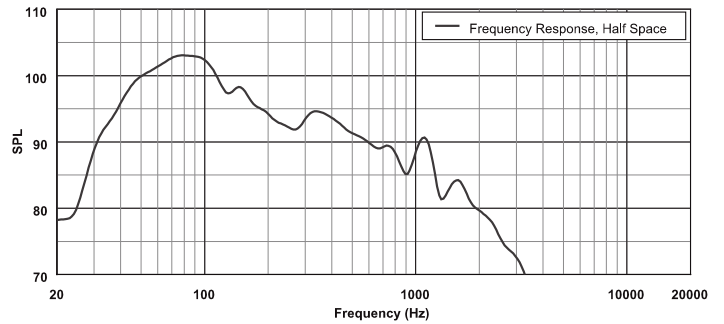
¹ EIA-RS426A

² Frequency Response 1/2 Space

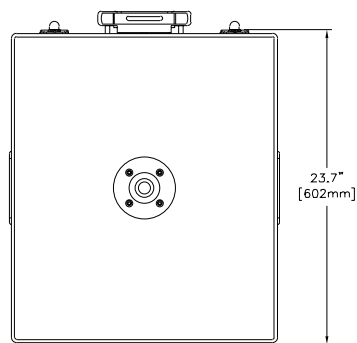
Block Diagram:



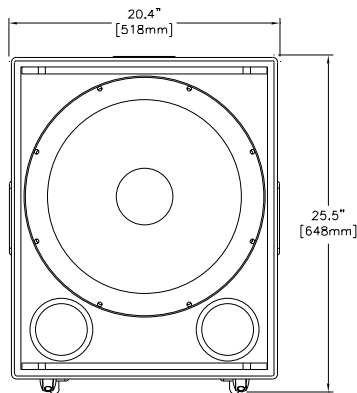
Frequency Response:



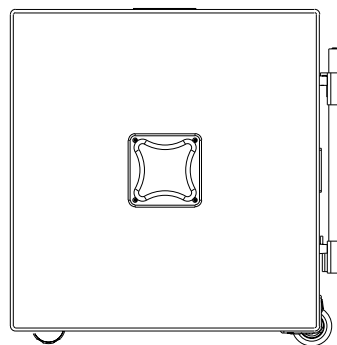
Dimension Drawings:



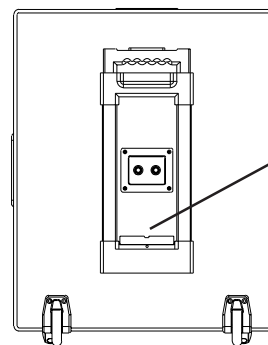
Top



Front



Side



Rear

The 3-stage expandable luggage style handle that comes with the Force i Sub can be easily removed by simply pushing down on the spring-loaded clip near the bottom of the enclosure.

Performance Match:

- Force i -- 15" Two-Way Full-Range Speaker System
- Force i Monitor -- 12" Two-Way Floor Monitor
- CP2200 Power Amplifier

WARNING: Care must be taken when moving the Force i Sub with the detachable handle. The handle has been carefully tested to move the Force i Sub and to last a long time. However, the Force i Sub and its handle aren't designed to be an equipment dolly or for pulling the speaker up stairs. Exercise caution when using the handle. The EV speaker warranty does not cover the removable handle or the inserts in the enclosure that can be damaged by careless handling.



12000 Portland Avenue South, Burnsville, MN 55337
Phone: 952/884-4051, Fax: 952/884-0043

www.electrovoice.com

© Telex Communications, Inc. 8/2006

Part Number 38110-081 Rev C

U.S.A. and Canada only. For customer orders, contact Customer Service at:

800/392-3497 Fax: 800/955-6831

Europe, Africa, and Middle East only. For customer orders, contact Customer Service at:

+ 49 9421-706 0 Fax: + 49 9421-706 265

Other International locations. For customer orders, contact Customer Service at:

+ 1 952 884-4051 Fax: + 1 952 887-9212

For warranty repair or service information, contact the Service Repair department at:

800/685-2606

For technical assistance, contact Technical Support at: 866/78AUDIO

Specifications subject to change without notice.